

AURORA

FIRES & FIREPLACES



SHOWROOM COLLECTION 2023/24

AURORA

FIRES & FIREPLACES

THE UK'S PREMIER FIRES & FIREPLACES SUPPLIER

Established in 1985, Aurora Fires & Fireplaces began its journey with the sole focus of manufacturing quality marble fireplaces for the UK independent trade. We have developed from a small family run company into one of the most trusted and recognisable names within the fireplace industry.

Aurora's showroom collection now offers a vast range of products including traditional marble fireplaces, stunning media wall fires and innovative bio ethanol stoves that are guaranteed to ignite the centre of your home.

Our quality fires and fireplaces create an impressive focal point that needs to be experienced first-hand. This is why our fires and fireplaces are only found in local showrooms.

We invite you to explore the extensive and exclusive fireplace range from Aurora.

MATERIALS



ICON KEY



CONTENTS

	MEDIA WALL FIRES		BESPOKE MARBLE FIREPLACE SUITE
4	INCENDIUM	38	MOLDOVA
6	INFERNO COLLECTION		BIO ETHANOL FIRES & STOVES
	PRE-BUILT MEDIA WALLS	40	GOTHAM STOVE
10	CENTRUM COLLECTION	40	PHANTOM STOVE
	MEDIA WALL FIREPLACE SUITES	41	BOREALIS
12	SALINA 43"	41	ZODIAC
13	NOVARA 44"	41	COSMOS
14	LOUISIANA 50"		ELECTRIC FIRES & STOVES
15	ALASKA 50"	42	BOREALIS
16	NOVARA 54"	42	ZODIAC
17	ALASKA 69"	42	COSMOS
	MARBLE STOVE SUITES	42	PHOENIX
18	GREVENA	43	NEO
19	MONTERREY	44	APOLLO XL STOVE
20	SANTORINI	44	APOLLO STOVE
21	GIRONA	44	ARIEL STOVE
22	PALMA	44	JUNO STOVE
23	MATERA	44	ATLAS STOVE
	MARBLE FIREPLACE SUITES	45	INFINITY STOVE
24	HAMILTON		STOVE TILES & HEARTHES
25	ELBA	45	TILE & HEARTH SETS
26	ADELAIDE		SPECIFICATIONS
27	OREGON	46	DIMENSIONS
28	SORENTO		
29	MONTREAL		
30	COLUMBUS		
31	VALENCIA		
32	MADRID		
33	BARCELONA		
34	ATLANTIS		
35	SEATTLE		
36	CANBERRA		
37	CHARLTON		





7 Preset Colour Options



NEW PRODUCT

INCENDIUM

- Ultra realistic natural log set
- Slate, crystal & vermiculite fuel bed
- 7 day programmable timer
- 3D LED flame effect (Dimmable)
- Suitable for media wall installations
- Remote control
- 1kW & 2kW heat output settings
- Open window & door detection

1500 1-2 kW HEAT [Lightning Bolt Icon] [Open Window Icon] [3D LED Icon] [Remote Control Icon] [7 Preset Colour Options Icon]



NEW FUEL BED



INFERNO FULLY INSET

- Logs, slate & crystal fuel bed
- Suitable for media wall installations
- Available with new Split Log Set
- Open window & door detection
- Sizes Available 500 | 750 | 1000 | 1250 | 1500 | 2000

Shown with the New Split Log Set.

INFERNO CORNER VIEW

- Logs, slate & crystal fuel bed
- Suitable for media wall installations
- Available with new Split Log Set
- Open window & door detection
- Sizes Available 500 | 750 | 1000 | 1250 | 1500 | 2000

Shown with the Natural Log Set.



INFERNO PANORAMIC

- Logs, slate & crystal fuel bed
- Suitable for media wall installations
- Available with new Split Log Set
- Open window & door detection
- Sizes Available 500 | 750 | 1000 | 1250 | 1500 | 2000

Shown with the Natural Log Set.



INFERNO 500 SQ

- Logs, slate & crystal fuel bed
- Suitable for media wall installations
- Available with new Split Log Set
- Open window & door detection

Shown with the Natural Log Set.

NEW
PRODUCT



Concrete Effect



Slate Venetian Plaster Effect



NEW PRODUCT

CENTRUM PRE-BUILT MEDIA WALL

- Recess for TVs up to 65"
- Integrated media shelf
- Supplied in pre-built finished parts
- Available in 3 finishes
- Incendium 1500 fully inset fire included

Centrum pre-built media wall shown in Bronze Venetian Plaster Effect.

- 1500
- 1-2 kW HEAT
- ⚡
- 📺
- 3D LED
- 🔊
- 📶
- 7



NEW
PRODUCT

SALINA

- China White & Sparkly Grey marble surround
- Integrated stainless steel bio ethanol burner
- Up to 3 kW heat output
- Flat wall installation

Salina shown with an inset integrated bio ethanol fire.

43"



3kW
HEAT

NOVARA

- Accommodates wall mounted TVs
- China White marble surround
- Sparkly Grey or China White slips
- Flat wall installation

Novara 44" shown with China White slips & Inferno 500 fire.

44"

500

1-2 kW
HEAT



NEW
PRODUCT



NEW
PRODUCT

LOUISIANA

- Accommodates wall mounted TVs
- China White marble surround
- Logs, slate & crystal fuel bed
- Flat wall installation

Louisiana shown with Inferno 500 SQ fire.

50" 500 1-2 kW HEAT ⚡ 3D LED 🔌 🔌 🔌 🔌 🔌 🔌



ALASKA

- Accommodates wall mounted TVs
- China White marble surround
- Grey slate or Oyster slate side panels
- Flat wall installation

Alaska 50" shown with Grey Slate side panels & Inferno 750 fire.

50" 750 1-2 kW HEAT ⚡ 3D LED 🔌 🔌 🔌 🔌 🔌 🔌



NOVARA

- Accommodates wall mounted TVs
- China White marble surround

- Sparkly Grey or China White slips
- Flat wall installation

Novara 54" shown with Sparkly Grey slips & Inferno 750 fire.

54" 750 1-2 kW HEAT [Lightning Bolt] [TV] [3D LED] [Speaker] [Remote] [7]



ALASKA

- Accommodates wall mounted TVs
- China White marble surround

- Grey slate or Oyster slate side panels
- Flat wall installation

Alaska 69" shown with Grey Slate side panels & Inferno 1250 fire.

69" 1250 1-2 kW HEAT [Lightning Bolt] [3D LED] [Speaker] [Remote] [7]

SUITE OPTIONS

Grevena + Gotham



Bio Fuel



Fire Colour

Grevena + Ariel



Electric



Fire Colour

Grevena + Atlas



Electric



Fire Colour

Grevena + Juno



Electric



Fire Colour



GREVENA

- China White marble surround
- Sparkly grey grooved back panel

- Complete with stove & stove pipe
- Flat wall installation

Grevena shown with the Apollo stove & straight stove pipe.



MONTERREY

- China White marble surround
- Complete with stove & stove pipe
- Flat wall installation

- Grey slate chamber with honed granite hearth
- (Note: 48" version comes with a slate back panel, not a slate chamber)

Monterrey shown with the Atlas stove & straight stove pipe.



SUITE OPTIONS

Monterrey + Gotham



Bio Fuel



Fire Colour

Monterrey + Ariel



Electric



Fire Colour

Monterrey + Apollo



Electric



Fire Colour

Monterrey + Juno



Electric



Fire Colour

SUITE OPTIONS
Santorini + Gotham



Bio Fuel

Fire Colour

Santorini + Ariel



Electric

Fire Colour

Santorini + Atlas



Electric

Fire Colour

Santorini + Juno



Electric

Fire Colour



SANTORINI

- China white marble surround
- Oyster slate chamber
- Flat wall installation

- Complete with stove & stove pipe
- (Note: 48" version comes with a slate back panel, not a slate chamber)

Santorini shown Apollo stove & straight stove pipe.

48" 54"   

GIRONA

- Perola marble surround
- Oyster slate chamber

- Complete with stove & stove pipe
- Flat wall installation

Girona shown with the Ariel stove & straight stove pipe.

54"   



SUITE OPTIONS
Girona + Gotham



Bio Fuel

Fire Colour

Girona + Apollo



Electric

Fire Colour

Girona + Atlas



Electric

Fire Colour

Girona + Juno



Electric

Fire Colour

SUITE OPTIONS

Palma + Ariel



Fire Colour

Palma + Apollo



Fire Colour

Palma + Atlas



Fire Colour

Palma + Juno



Fire Colour



SUITE OPTIONS

Matera + Grevena



Fire Colour

Matera + Monterrey



Fire Colour

Matera Freestanding



Fire Colour

PALMA

- Perola marble surround
- Flat wall installation

- Grey slate chamber with honed granite hearth
- Complete with stove & stove pipe

54"



MATERA

- China white marble
- Integrated stainless steel burner

- Supplied fully assembled
- 3L capacity (6-10 hours burning time)



3kW HEAT



Matera freestanding bio ethanol fire shown within the Santorini marble fireplace surround.

NEW
PRODUCT

SUITE OPTIONS

Hamilton + Phoenix



Electric 

Fire Colour 

Hamilton + Borealis



Bio Fuel  Electric 

Fire Colour 

Hamilton + Zodiac



Bio Fuel  Electric 

Fire Colour 

Hamilton + Zodiac



Bio Fuel  Electric 

Fire Colour 



HAMILTON

- China White marble surround
- Suitable for Electric or Bio Ethanol
- Flat wall installation

Hamilton shown with the Obsidian Black Chrome Cosmos inset fire.

39"   



ELBA

- China White marble surround
- Suitable for Gas, Electric or Bio Ethanol
- Flat wall installation

Elba shown with the Patina Silver Borealis inset fire.

42"     

SUITE OPTIONS

Elba + Neo



Electric 

Fire Colour 

Elba + Phoenix



Electric 

Fire Colour 

Elba + Cosmos



Bio Fuel  Electric 

Fire Colour 

Elba + Zodiac



Bio Fuel  Electric 

Fire Colour 

SUITE OPTIONS

Adelaide + Neo



Electric 

Fire Colour 

Adelaide + Phoenix



Electric 

Fire Colour 

Adelaide + Cosmos



Bio Fuel 
Electric 

Fire Colour 

Adelaide + Zodiac



Bio Fuel 
Electric 

Fire Colour 



ADELAIDE

Adelaide shown with the bio ethanol Borealis inset fire in Obsidian Black Chrome

- China White marble surround
- Suitable for Gas, Electric or Bio Ethanol

- Sparkly grey slips
- Flat wall installation

42" 48"    1&3" REBATE 



OREGON

Oregon shown with the Patina Silver Borealis inset fire.

- China White marble surround
- Suitable for Gas, Electric or Bio Ethanol

- Splayed back panel
- Flat wall installation

48"    1&3" REBATE 

SUITE OPTIONS

Oregon + Neo



Electric 

Fire Colour 

Oregon + Phoenix



Electric 

Fire Colour 

Oregon + Cosmos



Bio Fuel 
Electric 

Fire Colour 

Oregon + Zodiac



Bio Fuel 
Electric 

Fire Colour 

SUITE OPTIONS

Sorento + Phoenix



Electric 

Fire Colour 

Sorento + Borealis



Bio Fuel  Electric 

Fire Colour 

Sorento + Cosmos



Bio Fuel  Electric 

Fire Colour 

Sorento + Zodiac



Bio Fuel  Electric 

Fire Colour 



SORENTO

- China White marble surround
- Suitable for Gas, Electric or Bio Ethanol
- Flat wall installation

Sorento shown with the Patina Silver Neo inset fire.

48"    1&3" REBATE 



MONTREAL

- China white marble surround
- Suitable for Gas, Electric or Bio Ethanol
- Flat wall installation

Montreal shown with the Phoenix inset fire.

48"    1&3" REBATE 

SUITE OPTIONS

Montreal + Neo



Electric 

Fire Colour 

Montreal + Borealis



Bio Fuel  Electric 

Fire Colour 

Montreal + Cosmos



Bio Fuel  Electric 

Fire Colour 

Montreal + Zodiac



Bio Fuel  Electric 

Fire Colour 

SUITE OPTIONS

Columbus + Neo



Electric 

Fire Colour 

Columbus + Phoenix



Electric 

Fire Colour 

Columbus + Borealis



Bio Fuel 
Electric 

Fire Colour 

Columbus + Zodiac



Bio Fuel 
Electric 

Fire Colour 



COLUMBUS

- China White marble surround
- Suitable for Gas, Electric or Bio Ethanol
- Splayed back panel

Columbus shown with the Phoenix inset fire.

48"     



VALENCIA

- China White, Beige Stone or Perola marble surround
- Suitable for Gas, Electric or Bio Ethanol

Valencia shown with the Obsidian Black Chrome Neo inset fire.

48"     

SUITE OPTIONS

Valencia + Phoenix



Electric 

Fire Colour 

Valencia + Borealis



Bio Fuel 
Electric 

Fire Colour 

Valencia + Cosmos



Bio Fuel 
Electric 

Fire Colour 

Valencia + Zodiac



Bio Fuel 
Electric 

Fire Colour 

SUITE OPTIONS

Madrid + Neo



Electric 

Fire Colour 

Madrid + Phoenix



Electric 

Fire Colour 

Madrid + Cosmos



Bio Fuel 
Electric 

Fire Colour 

Madrid + Zodiac



Bio Fuel 
Electric 

Fire Colour 



MADRID

- China White marble surround
- Suitable for Gas, Electric or Bio Ethanol

Madrid shown with the bio ethanol Borealis inset fire in Obsidian Black Chrome.

48" 54"    1&3" REBATE 



BARCELONA

- China White marble surround
- Sparkly Grey slips
- Suitable for Gas, Electric or Bio Ethanol

Barcelona shown with the Obsidian Black Chrome Borealis inset fire.

48" 54"    1&3" REBATE 

SUITE OPTIONS

Barcelona + Neo



Electric 

Fire Colour 

Barcelona + Phoenix



Electric 

Fire Colour 

Barcelona + Cosmos



Bio Fuel 
Electric 

Fire Colour 

Barcelona + Zodiac





Bio Fuel 
Electric 

Fire Colour 

SUITE OPTIONS


Atlantis + Neo





Electric 

Fire Colour 


Atlantis + Phoenix






Electric 

Fire Colour 

Atlantis + Cosmos






Bio Fuel 
Electric 

Fire Colour 

Atlantis + Borealis



Bio Fuel 
Electric 

Fire Colour 



ATLANTIS

- China white marble surround
- Suitable for Gas, Electric or Bio Ethanol

Atlantis shown with the Obsidian Black Chrome Zodiac inset fire.

54"    3" REBATE 



SEATTLE

- China White marble surround
- Sparkly grey slips
- Suitable for Gas, Electric or Bio Ethanol

Seattle shown with the Obsidian Black Chrome Cosmos inset fire.

54"    1&3" REBATE 

SUITE OPTIONS

Seattle + Neo




Electric 

Fire Colour 


Seattle + Phoenix



Electric 

Fire Colour 

Seattle + Cosmos



Bio Fuel 
Electric 

Fire Colour 

Seattle + Borealis



Bio Fuel 
Electric 

Fire Colour 

SUITE OPTIONS

Canberra + Neo



Fire Colour

Canberra + Borealis



Fire Colour

Canberra + Cosmos



Fire Colour

Canberra + Zodiac



Fire Colour



CANBERRA

- Perola marble surround
- Suitable for Gas, Electric or Bio Ethanol

54"

Canberra shown with the Phoenix inset fire.



CHARLTON

- Roman stone marble surround
- Suitable for Gas, Electric or Bio Ethanol

54"

Charlton shown with the Antique Brass Borealis inset fire.

SUITE OPTIONS

Charlton + Neo



Fire Colour

Charlton + Phoenix



Fire Colour

Charlton + Cosmos



Fire Colour

Charlton + Zodiac



Fire Colour

* Subject to availability



NEW
PRODUCT

MOLDOVA

· Bespoke China White marble surround
· Suitable for Gas, Electric or Bio Ethanol

· Available in any size between 44" - 56"
· Available with any rebate

· Available with a boxed or lipped
hearth in any size



Moldova shown with the bio ethanol Cosmos inset fire in Obsidian Black Chrome.

BIO ETHANOL

ENVIRONMENTALLY FRIENDLY ENERGY
NO CHIMNEY / NO MAINTENANCE

- Up to 3kW of heat
- 3 - 5 hours burning time



VIEW VIDEO



1. FILL



2. IGNITE



3. ENJOY



NEW
PRODUCT

PRODUCT INFORMATION

- 1.5 litre capacity
- 3 - 5 hours burning time
- Up to 3kW heat output
- airFLO Convection System
- Control tool supplied
- Single opening door
- No direct flue or chimney required
- Available with a log store
- Available with a range of stove pipes
- Available with a range of tiles & hearths

GOTHAM

CHARCOAL GREY



NEW
PRODUCT

PHANTOM

CHARCOAL GREY



NEW
PRODUCT

GOTHAM + LOG STORE

CHARCOAL GREY



NEW
PRODUCT

PHANTOM + LOG STORE

CHARCOAL GREY



NEW
PRODUCT

BOREALIS

OBSIDIAN BLACK CHROME



BOREALIS

ANTIQUE BRASS



BOREALIS

PATINA SILVER



ZODIAC

BRUSHED STEEL



ZODIAC

OBSIDIAN BLACK CHROME



COSMOS

OBSIDIAN BLACK CHROME



PRODUCT INFORMATION

- Up to 3kW heat output
- 1.5 litre capacity
- 3 - 5 hours burning time
- Control tool supplied
- Borealis - 3" rebate required or 1" rebate with spacer. (Supplied separately)
- Zodiac - 3" rebate required
- Cosmos & Phoenix - 2.2" rebate required with spacer (Included) or 4.65" rebate without spacer.



VIEW VIDEO

BOREALIS

OBSIDIAN BLACK CHROME



BOREALIS

ANTIQUE BRASS



BOREALIS

PATINA SILVER



PHOENIX

CHARCOAL GREY



NEO

OBSIDIAN BLACK CHROME



NEW PRODUCT

ZODIAC

BRUSHED STEEL



ZODIAC

OBSIDIAN BLACK CHROME



COSMOS

OBSIDIAN BLACK CHROME



PRODUCT INFORMATION

- All available with remote control (*Excluding Cosmos fire)
- Thermostat
- 7 day programmable timer
- 1 & 2kW heat output
- LED flame effect
- Borealis - 3" rebate required or 1" rebate with spacer. (Supplied separately)
- Zodiac - 3" rebate required
- Cosmos & Phoenix - 2.2" rebate required with spacer (Included) Or 4.65" rebate without spacer

NEO

PATINA SILVER



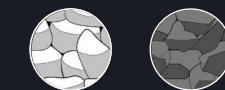
NEW PRODUCT



PRODUCT INFORMATION

- 3D LED flame effect
- Neo - 2.5" rebate required
- Available in two colour options
- 1 & 2kW heat output
- Thermostat
- Remote control

The Patina Silver Neo inset fire shown in the Barcelona marble surround.



APOLLO XL

CHARCOAL GREY

NEW
PRODUCT



APOLLO

CHARCOAL GREY

NEW
FUEL BED



ARIEL

CHARCOAL GREY



JUNO

CHARCOAL GREY



ATLAS

CHARCOAL GREY



PRODUCT INFORMATION

- Thermostat
- 0.9 & 1.8kW heat output
- LED-X flame effect with downlight
- Hand painted logs



NEW
PRODUCT

INFINITY

CHARCOAL GREY

PRODUCT INFORMATION

- Thermostat
- 0.9 & 1.8kW heat output
- LED flame effect (Dimmable)
- Split log set with crystals, slate & vermiculite
- Single opening door
- Pulsating fuel bed
- Remote Control

STOVE TILES + HEARTHES

Concrete Effect | Slate Venetian Plaster Effect | Bronze Venetian Plaster Effect

PRODUCT INFORMATION

- Luxury textured finish
- Pre-finished MFC
- Impact resistant 2mm PVC edging

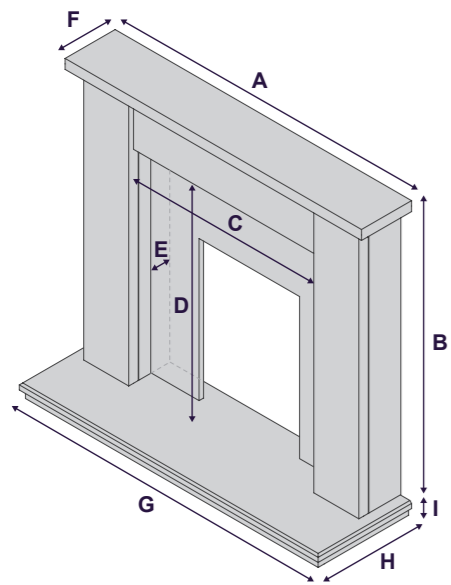
- Tiles & hearths supplied as singles or sets
- Suitable for electric & bio ethanol stoves



PRODUCT DIMENSIONS
HEARTH: H 36mm | W 780mm | D 425mm
TILE: H 535mm | W 710mm | D 18mm

MARBLE FIREPLACE SUITES

MODEL	A	B	C	D	E	F	G	H	I
ALASKA 50"	1130	455	1040	305	-	255	1260	400	250
ALASKA 69"	1630	455	1540	305	-	255	1760	400	250
ADELAIDE 42"	1073	915	661	705	25/75	223	1068	381	57
ADELAIDE 48"	1215	1045	670	745	25/75	223	1215	381	57
ATLANTIS 54"	1355	1125	835	885	75	207	1372	381	57
BARCELONA 48"	1215	1035	715	790	25/75	207	1219	381	57
BARCELONA 54"	1355	1115	785	838	25/75	207	1372	381	57
CANBERRA 54"	1311	1005	790	745	25/75	215	1372	381	57
CHARLTON 54"	1365	1005	795	800	25/75	235	1372	381	57
COLUMBUS 48"	1215	1035	815	790	25/75	203	1219	381	57
ELBA 42"	1041	915	661	705	25/75	207	1068	381	57
GIRONA 54"	1375	1110	825	860	-	237	1372	381	57
GREVENA 48"	1215	1050	724	800	-	245	1219	381	57
HAMILTON 39"	1000	885	580	660	75	190	1000	300	57
OREGON 48"	1215	1035	815	790	25/75	203	1219	381	57
LOUISIANA 50"	1270	900	790	670	-	280	1270	381	57



MODEL	A	B	C	D	E	F	G	H	I
MADRID 48"	1216	1005	792	745	25/75	193	1219	381	57
MADRID 54"	1336	1030	886	770	25/75	244	1372	381	57
MONTERREY 48"	1215	1050	724	800	-	245	1219	381	40
MONTERREY 54"	1372	1110	825	860	-	265	1372	381	40
MONTREAL 48"	1215	995	735	760	25/75	245	1219	381	57
NOVARA 44"	1123	756	642	521	-	317	1123	381	57
NOVARA 54"	1372	756	892	521	-	317	1372	381	57
PALMA 54"	1372	1110	825	860	-	235	1372	381	40
SALINA 43"	1100	822	666	610	-	271	1100	381	52
SANTORINI 48"	1215	1050	724	800	-	245	1219	381	57
SANTORINI 54"	1375	1110	825	850	-	267	1372	381	57
SEATTLE 54"	1372	1096	795	830	25/75	235	1372	381	57
SORENTO 48"	1219	1050	779	790	25/75	231	1219	381	57
VALENCIA 48"	1215	1035	715	790	25/75	207	1219	381	57
MOLDOVA*	This is a bespoke product. Please speak to a sales representative for more information.								

DIMENSIONS

Aurora also offer a fully bespoke service for back panels and hearths. Speak to your Aurora stockist for more information.

Due to the unique technical requirements of fire products it is not possible to ensure compatibility with all fires. Please consult a suitably qualified tradesman who will be able to advise which products are suitable for your setup.

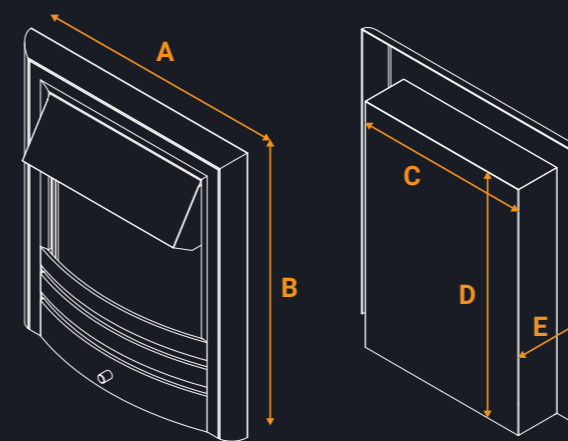
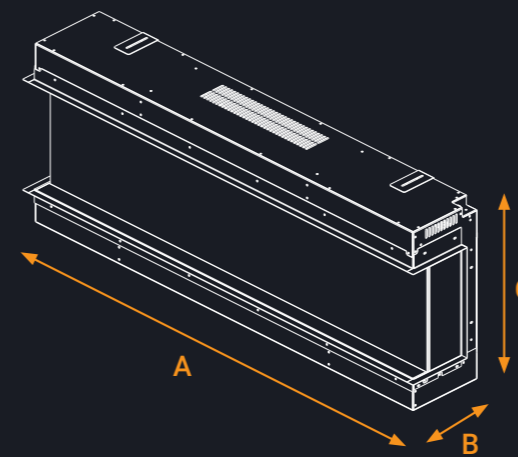
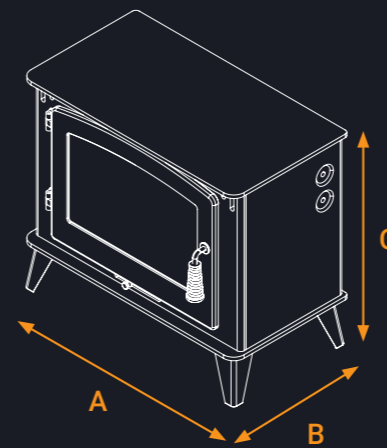
General information – Gas fires

If intending to install a gas fire to complement your surround, we strongly advise that this is carried out by a suitably qualified GAS SAFE registered installer.

Our Micro Marble fireplaces are suitable for use with most gas fires. However due to a wide variation in heat outputs and designs, we recommend that you consult with your gas fire manufacturer to confirm compatibility with Micro Marble

IMPORTANT

Heat discolouration in marble may occur with gas fires of 3kW output and above – dependant on make and model of gas fire.



STOVES

MODEL	A	B	C
APOLLO	440	320	560
APOLLO XL	440	320	850
ARIEL	412	335	534
ATLAS	620	335	534
GOTHAM	430	300	570
GOTHAM + LOG STORE	430	300	760
INFINITY	420	420	951
JUNO	620	335	534
PHANTOM	460	330	573
PHANTOM + LOG STORE	440	310	655
MATERA	495	285	140

All dimensions are in millimetres (mm)

MEDIA WALLS & FIRES

MODEL	A	B	C
INCENDIUM	1554	380	588
INFERNO 500 SQ	613	174	628
INFERNO 500	555	235	493
INFERNO 750	795	235	493
INFERNO 1000	1054	235	493
INFERNO 1250	1305	235	493
INFERNO 1500	1554	235	493
INFERNO 2000	2054	235	493
CENTRUM	1760	275	2200

All dimensions are in millimetres (mm)

FIRES

MODEL	A	B	C	D	E
BOREALIS	560	635	400	557	75/25*
COSMOS	507	595	400	557	108/58
NEO	553	675	410	560	65
PHOENIX	507	595	400	557	108/58
ZODIAC	560	637	400	557	75

*Spacer available | All dimensions are in millimetres (mm)

AURORA

FIRES & FIREPLACES



E: trade@firedupcorporation.com T: 0330 0882 061

Fired Up Corporation, St Thomas' Road, Huddersfield, HD1 3LF, UK

[f](#) Aurora Fireplaces [@](#) aurora_fireplaces [t](#) AuroraFireplace

AURORA-FIREPLACES.CO.UK